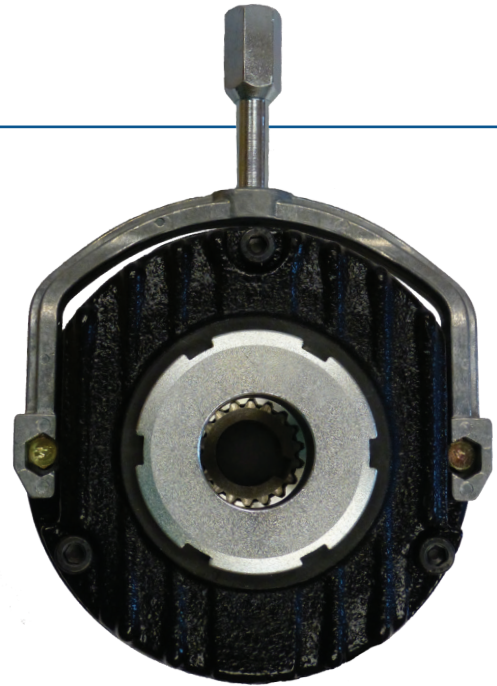


# MSEB Series

## Manual Release Power-Off Brakes

Nine standard frame sizes available:

- 3.3 to 11.9" diameter ; 1.6 to 4.7" length
- Bore sizes from 0.43 to 1.7"
- Static torque from 2.95 to 354 lb-ft
- Power ratings of 20W to 110W
- 24VDC coil voltage
- Modified designs and customized assemblies available

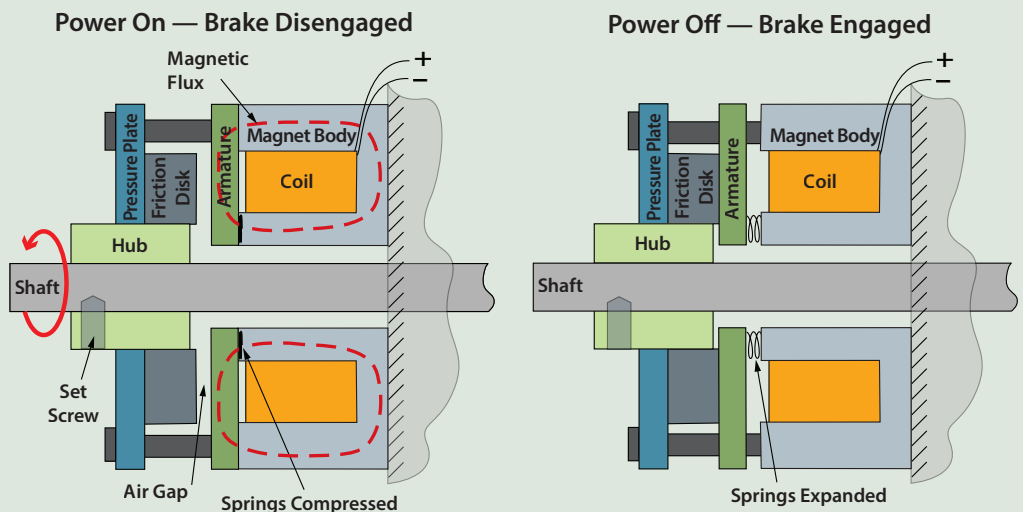


Performance/ Mechanical Specifications	SEPAC P/N SIZE	MSEB Series — Model Size								
		40267 326	40268 402	40269 500	40270 579	40271 638	40272 740	40273 846	40274 1000	40275 1189
Torque Rating (Static)	lb-ft	3.69	5.90	11.80	23.60	44.25	59.00	125.38	221.25	354.00
	Nm	4	8	16	32	60	80	170	300	480
Recommended Max Speed	RPM	3000	3000	3000	3000	3000	3000	1500	1500	1500
Coil Data- 24VDC	Amps	0.830	1.040	1.210	1.660	2.080	2.700	3.540	4.600	4.600
Friction Disc & Hub Inertia	lb-ft <sup>2</sup>	0.00044	0.0014	0.0047	0.0107	0.0150	0.0356	0.0688	0.1732	0.4746
	kg-cm <sup>2</sup>	0.000015	0.00006	0.00020	0.00045	0.00063	0.00150	0.00290	0.00730	0.02000
Approximate Weight	lb	2.2	4.0	6.6	10.6	16.1	26.5	39.7	55.1	90.4
	kg	1.0	1.8	3.0	4.8	7.3	12.0	18.0	25.0	41.0

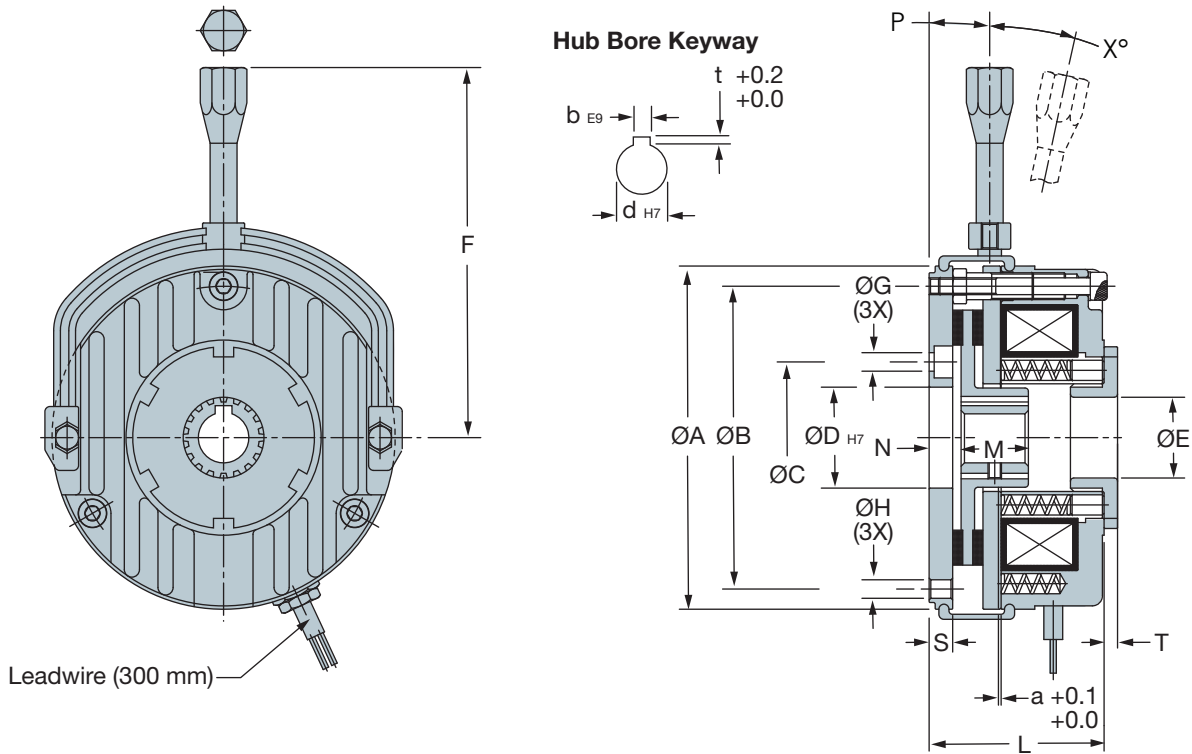
### MSEB Operation:

The magnet body is attached to the rear of the motor or bulkhead, and the hub is attached to the shaft with two set screws. When the coil is energized, the electromagnetic field attracts the armature plate and compresses the springs. This allows the friction plate to rotate freely with the hub and shaft.

When power is turned off, the electromagnetic field dissipates, allowing the springs to push the armature plate into contact with the friction disk. This squeezes the friction disk between the pressure plate and the armature plate, thus transmitting torque, and stopping/holding the friction disc, hub, and shaft.



# Manual Release Power-Off Brakes



**MSEB Series — Model Size (add "MSEB-" to model size below to complete model number)**

<b>Dimensions — Inches (mm)</b>		<b>326-24- M11</b>	<b>402-24- M15</b>	<b>500-24- M20</b>	<b>579-24- M25</b>	<b>638-24- M30</b>	<b>740-24- M30</b>	<b>846-24- M35</b>	<b>1000-24- M35</b>	<b>1189-24- M45</b>
Overall Diameter	A	3.27 (83)	4.02 (102)	5.00 (127)	5.79 (147)	6.38 (162)	7.40 (188)	8.47 (215)	10.00 (254)	11.89 (302)
Mounting Holes (Qty 3) Bolt Circle	B	2.835 (72)	3.543 (90)	4.409 (112)	5.197 (132)	5.709 (145)	6.693 (170)	7.717 (196)	9.055 (230)	10.945 (278)
	C	1.181 (30)	1.772 (45)	2.205 (56)	2.441 (62)	2.913 (74)	3.307 (84)	3.937 (100)	—	—
	D	0.787 (20.0)	1.181 (30.0)	1.594 (40.5)	1.772 (45.0)	2.165 (55.0)	2.559 (65.0)	2.953 (75.0)	3.543 (90.0)	4.736 (123.3)
	E	0.748 (19.0)	0.945 (24.0)	1.378 (35.0)	1.575 (40.0)	1.874 (47.6)	2.146 (54.5)	2.421 (61.5)	3.346 (85.0)	4.528 (115.0)
	F	3.898 (99)	4.291 (109)	5.591 (142)	6.024 (153)	7.283 (185)	7.874 (200)	10.236 (260)	16.535 (420)	19.842 (504)
	G, H	0.177 (4.5)	0.217 (5.5)	0.256 (6.5)	0.256 (6.5)	0.354 (9.0)	0.354 (9.0)	0.354 (9.0)	0.433 (11.0)	0.433 (11.0)
	L	1.614 (41.0)	2.067 (52.5)	2.244 (57.0)	2.622 (66.6)	2.992 (76.0)	3.366 (85.5)	3.780 (96.0)	4.272 (108.5)	4.685 (119.0)
	M	0.693 (17.6)	0.811 (20.6)	0.787 (20.0)	0.984 (25.0)	0.984 (25.0)	1.173 (29.8)	1.378 (35.0)	1.339 (34.0)	1.772 (45.0)
	N	0.276 (7.0)	0.374 (9.5)	0.453 (11.5)	0.472 (12.0)	0.551 (14.0)	0.563 (14.3)	0.591 (15.0)	0.543 (13.8)	0.669 (17.0)
	P	0.886 (22.5)	0.984 (25.0)	1.280 (32.5)	1.220 (31.0)	1.508 (38.3)	1.634 (41.5)	1.815 (46.1)	2.461 (62.5)	2.756 (70.0)
	S	0.228 (5.8)	0.276 (7.0)	0.346 (8.8)	0.354 (9.0)	0.433 (11.0)	0.433 (11.0)	0.433 (11.0)	0.433 (11.0)	0.492 (12.5)
	T	0.118 (3.0)	0.177 (4.5)	0.177 (4.5)	0.197 (5.0)	0.197 (5.0)	0.236 (6.0)	0.236 (6.0)	—	—
	X	6	8	8	7	12	12	8	20	20
Reference	a	0.006 (0.15)	0.008 (0.20)	0.008 (0.20)	0.010 (0.25)	0.010 (0.25)	0.012 (0.30)	0.014 (0.35)	0.014 (0.35)	0.018 (0.45)
	d	0.433 (11)	0.591 (15)	0.787 (20)	0.984 (25)	1.181 (30)	1.181 (30)	1.378 (35)	1.378 (35)	1.772 (45)
Keyway	Width	b	0.157 (4.0)	0.197 (5.0)	0.197 (5.0)	0.276 (7.0)	0.276 (7.0)	0.276 (7.0)	0.394 (10.0)	0.551 (14.0)
	Height	t	0.071 (1.8)	0.091 (2.3)	0.091 (2.3)	0.118 (3.0)	0.130 (3.3)	0.130 (3.3)	0.150 (3.8)	0.157 (4.0)